

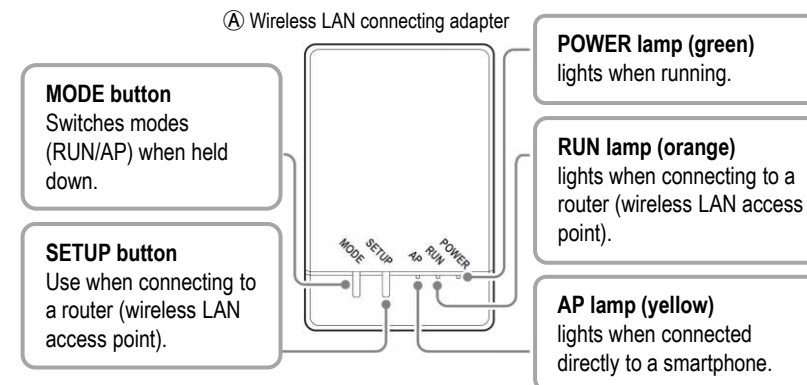
Homepage:

•For details on specifications, setting methods, FAQ and declaration of conformity: see our homepage.

URL:

<http://www.daikin.com.au/customer-support/contact-us>

Main components



[Resetting the connection adaptor]

• If the [SETUP] button and the [MODE] button are held down together for 5 seconds, all lamps will begin blinking. If the [SETUP] button is pressed in this state, settings will revert to factory default values. (Data including network settings and power consumption history are erased.)

Safety precautions

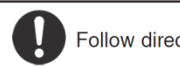
•The following describes the meaning of pictorial symbols used in this documentation.

Give this installation manual to the customer when installation is completed.

•To conduct a test run of the air conditioner, complete according to the installation manual for the air conditioner unit.



Prohibited



Follow directions.

Warning

Situations which could result in death or serious injury.

When installing:

- Request installation by your dealer or a technician. (Can cause electric shock or fire.)
- Always use the accessories and specified parts for installation. Be sure to follow the directions in this installation manual. (Can cause the unit to fall, electric shock or fire.)
- Electrical work must be performed in accordance with relevant local and national regulations and with the instructions in this installation manual/ Always use a dedicated circuit. (Can cause electric shock or fire.)
- Always turn off the power supply when installing. (Touching the electrical parts can cause electric shock)



- Do not allow this product to get wet or use it when bathing or similar activities using water. (Can cause electric shock or fire.)
- Do not use this product near medical equipment or persons using cardiac pacemakers or defibrillators. This product may cause life-threatening electromagnetic interference.
- Do not use this product near auto-control equipment such as automatic doors or fire alarm equipment. (Can cause accidents due to erroneous equipment behaviour.)



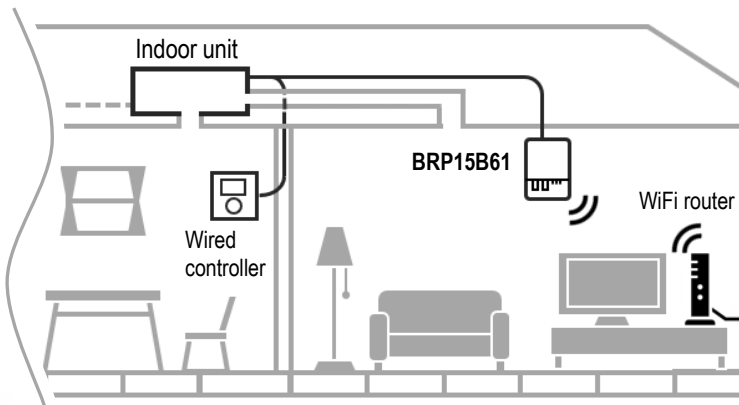
- Immediately disconnect the air conditioner power plug if there is abnormal odour or sound, when it is overheating, or smoking. (Can cause fire or malfunction)
- Request an inspection by your dealer
- Disconnect the air conditioner power plug if the product was dropped or the case is damaged. (Can cause fire or electric shock.)
- Request an inspection by your dealer

When using:

- Do not disassemble, modify, or repair. (Can cause fire, electrical shock or injury)
- Do not handle this product with wet hands. (Can cause electrical shock or fire.)

Installation Location

The BRP15B61 Wireless LAN Connecting Adaptor is supplied with a 20m communications cable for connection to the P1-P2 terminals of the indoor unit electrical box. For optimum performance, place the BRP15B61 in the line of sight (unobstructed) of where the target WiFi device (ie., typically the home Wi-Fi router or Access Point) is located. The BRP15B61 should be in close proximity (within 30m) of the target WiFi device in order to ensure the wireless communications between these devices are not impeded.



DO NOT install BRP15B61



- within the roof space of a detached home.
- on or within close proximity (<50cm) of any steel frames or metallic structures.
- in the return air box of a ducted air-conditioning unit.
- on the side of any metallic surface or any electronic appliances.
- in close proximity (<50cm) to any power cables or magnetic devices.

Caution

Situations which could result in damage or physical injury.

When installing:

- The BRP15B61 operates as a "Slave Controller" in parallel with a Daikin Wall Controller or Zone Controller set to "Master". It is not possible to connect more than two controllers (ie., only one master and one slave to an indoor unit). Therefore, if the installation already has 2 controllers (ex., upstairs and downstairs), connection

of the BRP15B61 WiFi Remote Control Interface is not possible.

When using:

- Do not use where small children can get access. (Can cause injuries.)
- Do not use this product near a microwave oven. (This can affect Wireless LAN communications.)

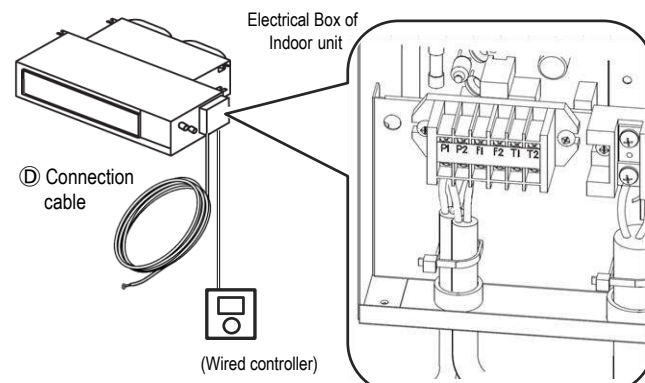
Installation Procedure

Installation Work

1 Attach the Wireless LAN connecting adaptor to indoor unit.

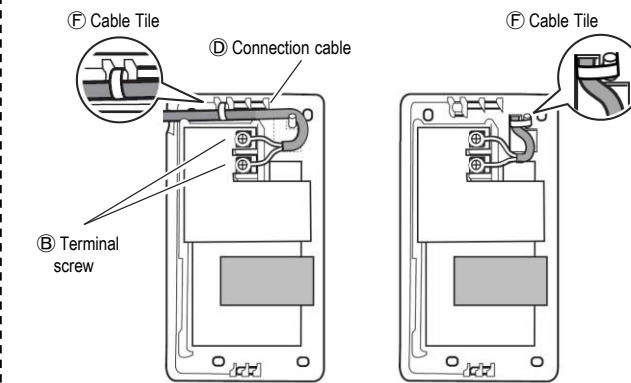
WARNING
Always turn off the power supply when installing. (Touching the electrical parts can cause an electric shock)

1. Connect the **D** connection cable to the P1 and P2 terminals of the electrical box. These wires will be in parallel with the 2 wires going to the wall controller or zone control box. There is no polarity of the two wires. So, any wire can connect to P1 or P2 terminal.
2. Secure the wires inside the electrical box using a cable tie.



2 Connecting cable and cord

1. Using **B** terminal screws, connect the other end of **D** connection cable to the Adapter Case (Base). There is no polarity of the two wires. So, any wire can connect to P1 or P2 terminal.
2. Use the most convenient notch for wiring the cable properly.



WARNING
The operating temperature of the Adapter is -10°C to 60°C. It is recommended to install the Adapter in a room where the temperature does not exceed the range.

Accessories

Check if the following accessories are included in your package.

A Wireless LAN connecting adaptor 1 pc	B Terminal screw 2 pcs	C Serial number seal 1 pc	D Connection cable (20m) 1 pc	E Fastening tape 2 pcs	F Cable Tie 1 pc	G Mounting screw 2 pcs	H Installation Manual 1 pc	J Operation Manual 1 pc
--	----------------------------------	-------------------------------------	---	----------------------------------	----------------------------	----------------------------------	--------------------------------------	-----------------------------------

- ※1 •Affix to the seal attachment on the back face of this sheet and store in a safe place.
- ※2 •Do not use extension or other cords.

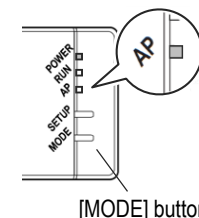
Configuration

Connection Settings Section

Advanced Settings

• All steps are demonstrated using iOS.

1 Check that the [AP] lamp is lit (continuously).



• If the [AP] lamp is not lit, hold down the [MODE] button on the adapter for about two seconds to prompt the [AP] lamp to light up (continuously). (Lights in about 10 seconds.)

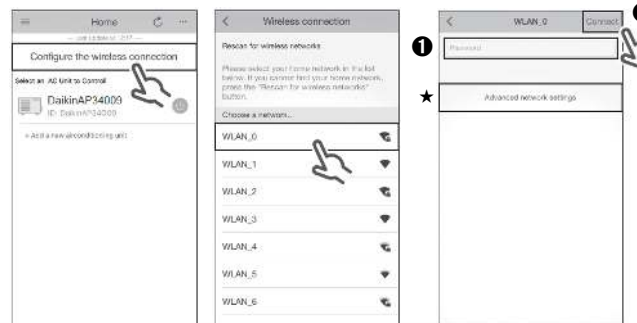
2 Connect the smartphone (tablet PC) directly with the adapter via wireless LAN.

• Open the smartphone's Wi-Fi network list, select the [SSID] (DaikinAP *****) shown on the serial number sticker (B), or the wireless LAN connection adapter (A), and then enter the [KEY].

3 Tap the installed app [Airbase] to start it.

4 Make the wireless connection settings.

- (1) Tap [Configure the wireless connection].
 (2) Select your home Network from the List.
 (3) 1 Enter the password.
 2 Tap [Connect].



(4) Follow the on-screen instructions from here onward to complete setup.

(5) After implementing the setting above and the product and router (wireless LAN access point) are connected, the [RUN] lamp will light. If this blinks for 1 minute or longer, check the power to the router (wireless LAN access point), network name and the password and start again from the first procedure.

★ To set the wireless connection manually, tap [Advanced network settings], turn off [Automatic IP address (DHCP)], fill in the required information for the Wi-Fi router, tap [✓] and then tap [Connect] on the wireless connection screen. Follow the on-screen instructions and then continue as in step (5).



5 Connect the smartphone (tablet PC) and the router (wireless LAN access point), and then start [Airbase].

• Refer to step 4 and step 5 of "Simple setup".

[About the SSID and KEY]

• The [SSID] and [KEY] shown on the (C) serial number sticker are necessary when connecting the air conditioner and a smartphone via wireless LAN.

[Sticker attachment area]

Attach the (C) serial number sticker to the sticker attachment area and keep safe.

Troubleshooting

The following table provides brief descriptions of how to handle trouble or uncertainties when you install the product or make connection settings.

See the homepage for details.

When this happens	Explain and where to check
None of the lamps light.	→ Check the installation. The product is behaving incorrectly. → Turn off the air conditioner power and restart it.
If you cannot connect a touch controller to a system (air conditioner), the product is not installed correctly.	Product lamp is extinguished. → Check that the RUN lamp is lit. → Check that the power is on. → Check the configuration and adapter settings again. → Check the physical LAN connection again. → There is a possibility that the router you are using may not be supported. See the homepage for details

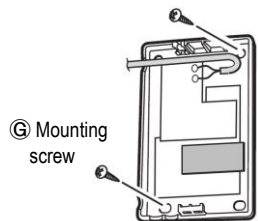
DAIKIN AUSTRALIA PTY. LIMITED

Sydney Office
 62-66 Governor Macquarie Drive,
 Chipping Norton NSW 2170 Australia
<http://www.daikin.com.au>

3P531285-1B

3 Attach the Adapter case.

Using (G) Mounting screw or (E) Fastening tape, fix the Adapter case on a wall.



CAUTION
 When attaching (D) fastening seal, there is a possibility of damaging the wall, and adapter failing. (Depending on the type of the wall.)

4 Return the adapter case to its original state.

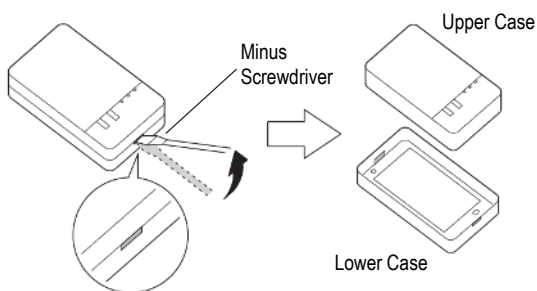
Snap the top of the upper case onto the clip at the top of the lower case and press to close the box.



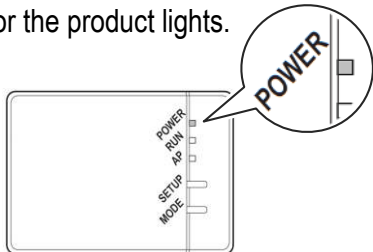
Push down until you hear a click

When remove the adapter case

Press a minus screwdriver into the dent between the upper and lower case to remove. (Be careful not to damage the case)



5 Turn on the power supply, wait until the initialization is completed. Check that the [POWER] lamp for the product lights.



[Note]

• If an upgrade is available for your adapter, the notification icon "⬇️" will be displayed on the units overview screen.



Tap it to upgrade your firmware.

The customer is responsible for providing the following.

- Smartphone or tablet PC (Supported OS: Android 5.0 or later; iOS 8.0 or later.)
- Internet line and communicating device (Modem/router or a similar device)
- Wireless LAN access point
- Mobile App [Daikin Airbase] (No Cost)

Installation method of Online controller

For Android Phones/Tablets

- (1) Open the [Google Play].
- (2) Search for [Daikin Airbase].
- (3) Follow the directions on the screen to install.

For iPhones/iPads

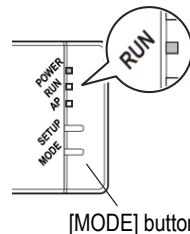
- (1) Open the [App Store].
- (2) Search for [Daikin Airbase].
- (3) Follow the directions on the screen to install.

Check whether the router to be used supports WPS.

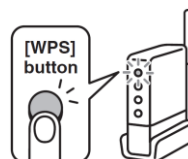
- If WPS is supported ⇒ Proceed to **Simple Settings**
- If WPS is not supported ⇒ Proceed to **Advanced Setting**

Simple Settings

1 Check that the [RUN] lamp is blinking.
 • If [AP] is blinking or lit, hold down the [MODE] button on the adapter for about 2 seconds to prompt the [RUN] lamp to begin blinking.



2 Press the [WPS] button on the router (wireless LAN access point).
 • Operation procedures for the [WPS] button vary by router (wireless LAN access point). For details, refer to the instruction manual for the router.



3 Hold down the [SETUP] button on the adapter for about 2 seconds.
 • The [RUN] lamp will begin to blink more rapidly, and will change to a continuous light once a connection between the router (wireless LAN access point) and the adapter has been established.

If a connection fails to establish, repeat procedures from step 1 of "Simple setup".

4 Connect the smartphone (tablet PC) and the router (wireless LAN access point).
 • A connection can be established by opening the smartphone's Wi-Fi network list, selecting the [SSID] for the router and entering its password.

5 Tap the installed app [Airbase] to start it.
 • If the connected air conditioner is listed in the units overview screen, setup is complete. If it is not listed, tap (refresh) in the top right corner of the units overview screen.